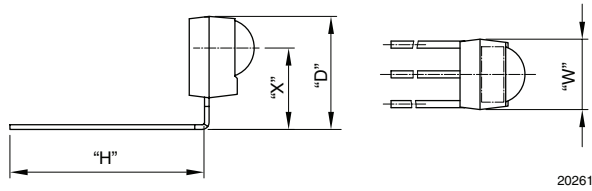
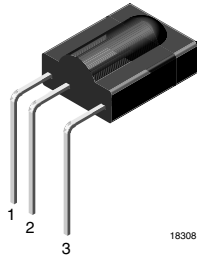


IR Receiver Modules for Remote Control Systems



FEATURES

- Compliant to RoHS directive 2002/95/EC and in accordance to WEEE 2002/96/EC



AVAILABLE FOR:

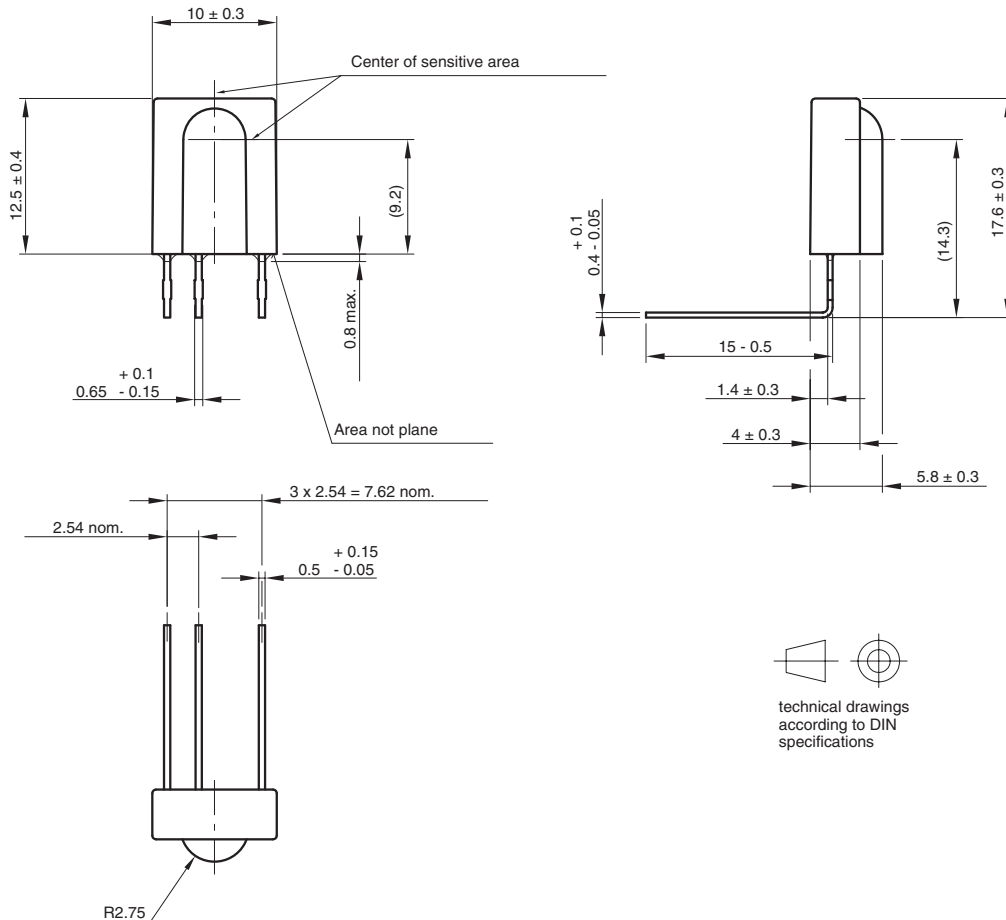
- TSOP31...
- TSOP1...



RoHS
COMPLIANT

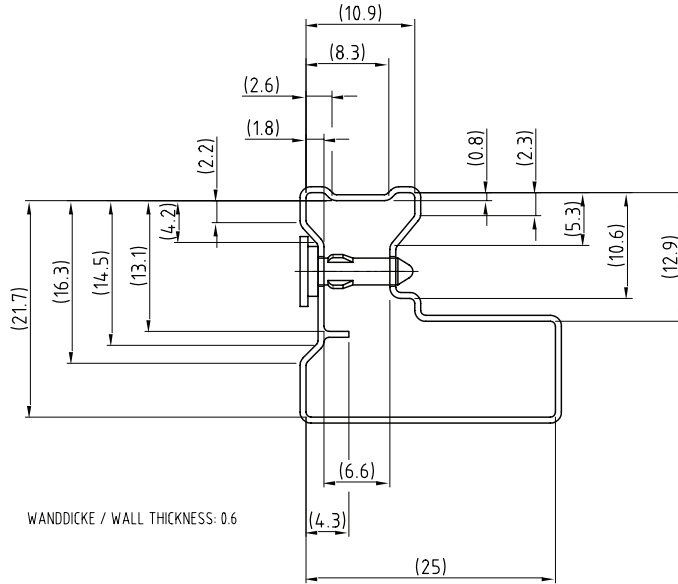
NAME	LENS AXIS (X)	VIEW	TYPE	HEIGHT (H)	WIDTH (W)	DEPTH (D)
SP1	14.3		Bend	15	10	17.4

MECHANICAL DIMENSIONS in millimeters

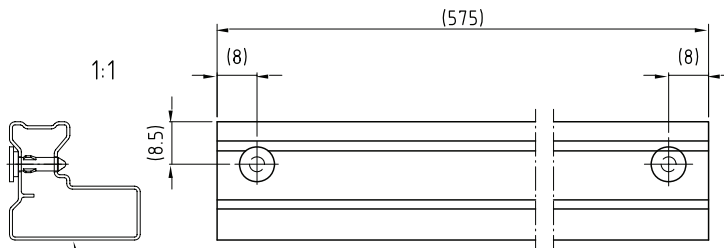


Drawing-No.: 6.550-5112.05-4
Issue: 9; 04.08.09
15986

PACKAGING DIMENSIONS in millimeters



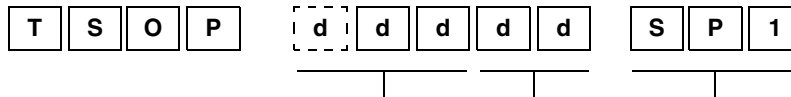
WANDDICKE / WALL THICKNESS: 0.6



Druck / Printing for tubes
1.400-5548.0-3 Version 1

Drawing-No.: 9.700-5158.0-4
Rev. 9; Date: 20.11.03
20309-1

ORDERING INFORMATION



2 or 3 digit product series 2 digit frequency Holder type

Note

d = "digit", please consult the list of available series on the previous page to create a valid part number.

Example: TSOP31238SP1

PACKING QUANTITY

- 54 pieces per tube
- 24 tubes per carton